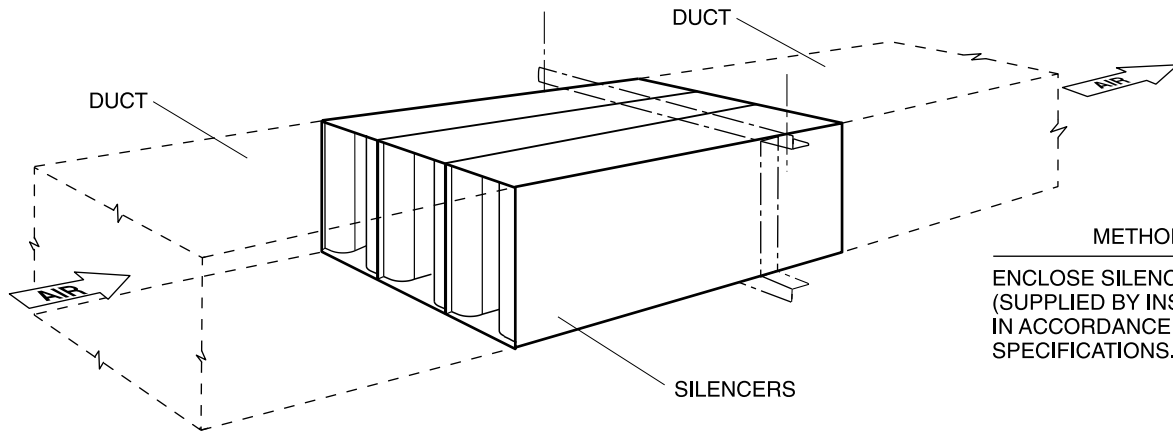
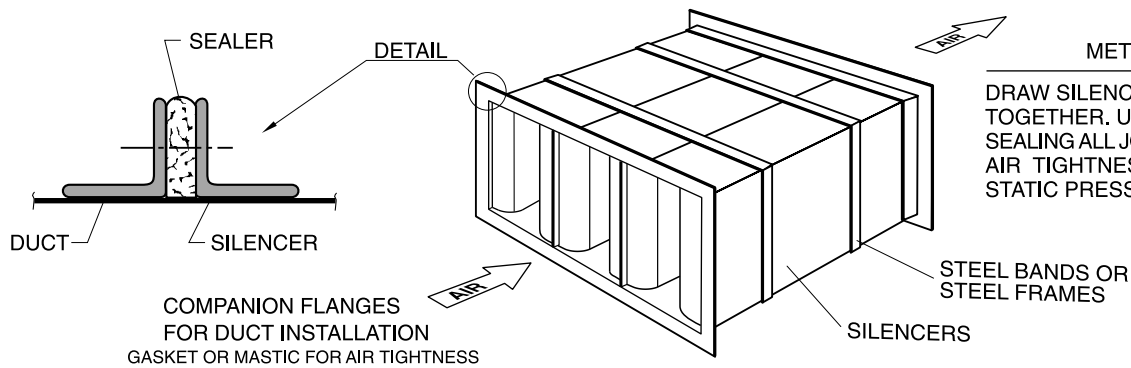


INSTALLATION DUCT SILENCERS



METHOD 1

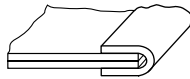
ENCLOSE SILENCERS IN DUCT (SUPPLIED BY INSTALLER) IN ACCORDANCE WITH JOB SPECIFICATIONS.



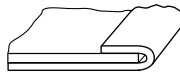
METHOD 2

DRAW SILENCERS TIGHTLY TOGETHER. USE CARE IN SEALING ALL JOINTS TO ACHIEVE AIR TIGHTNESS AT SPECIFIED STATIC PRESSURE.

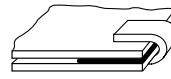
RECOMMENDED CONTINUOUS SEALING DETAILS



1. NOSE CAP
(By Others)



2. CUT FLANGE
& BEND OTHER
(By Others)



3. RUBBER TAPE
(OR MASTIC) & CLIP
(By Others)

Single Unit Rectangular Traps available with:
SLIP FIT connection S & Drive
Angle Frame

Round Traps & ADC's available with:
SLIP FIT connection
Angle rings

Silencers are shipped in modules and assembled into banks by the installer. Angle iron and other frames may be factory supplied as an option or may be provided by the installer.